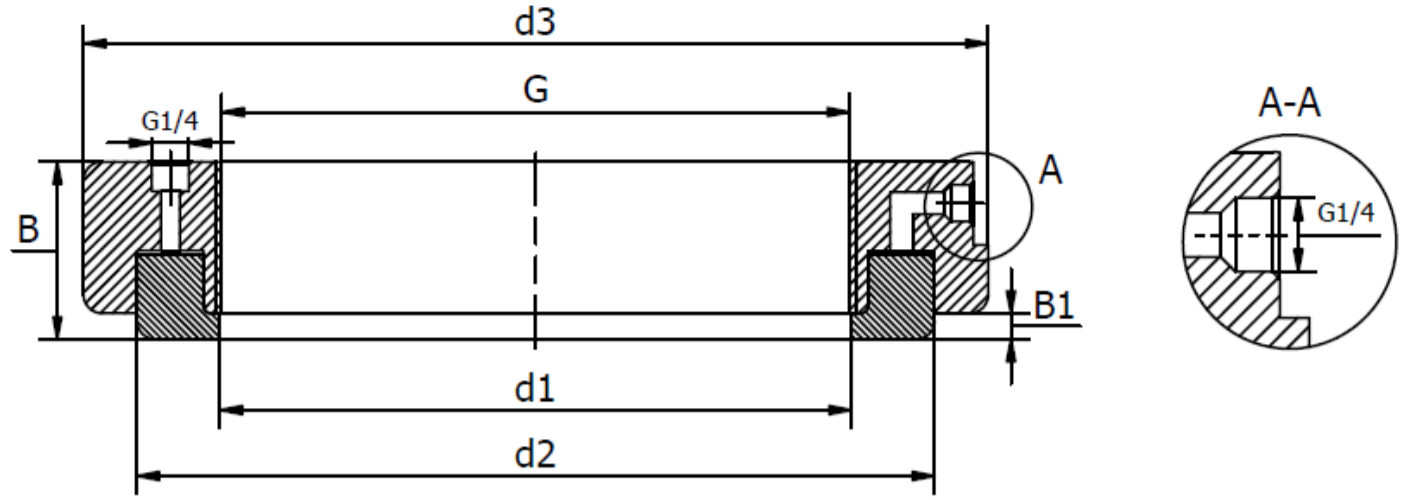


Product No.	Thread (G)	Dimensions (mm)					Max. Displacement	Piston Area (cm <sup>2</sup> )	Drive-up force kN at 800 bar	Weight (Kg)
		d1	d2	d3	B	B1				
HYD.NUT50 (HVM10)	M50X1,5	51	88	110	40	2	4	30,6	245	2,3
HYD.NUT55 (HVM11)	M55X2	56	92	118	40	2	4	31,2	250	2,6
HYD.NUT60 (HVM12)	M60X2	61	96	125	40	2	4	31,6	253	2,8
HYD.NUT65 (HVM13)	M65X2	66	103	132	40	3	4	35,5	284	3,1
HYD.NUT70 (HVM14)	M70X2	71	110	140	40	3	4	41,0	328	3,4
HYD.NUT75 (HVM15)	M75X2	76	116	145	40	3	4	44,8	359	3,6
HYD.NUT80 (HVM16)	M80X2	81	122	150	40	3	4	49,0	392	3,8
HYD.NUT85 (HVM17)	M85X2	86	126	155	40	3	4	49,3	394	3,9
HYD.NUT90 (HVM18)	M90X2	91	130	160	40	3	5	50,0	395	4,2
HYD.NUT95 (HVM19)	M95X2	96	136	165	40	3	5	52,0	416	4,3
HYD.NUT100 (HVM20)	M100X2	101	142	170	42	5	5	54,5	435	4,7
HYD.NUT105 (HVM21)	M105X2	106	147	175	42	6	5	56,6	453	4,7
HYD.NUT110 (HVM22)	M110X2	111	152	180	43	6	5	59,0	470	5,0
HYD.NUT115 (HVM23)	M115X2	116	157	185	43	6	5	60,8	487	5,2
HYD.NUT120 (HVM24)	M120X2	121	162	190	43	6	5	63,0	504	5,4
HYD.NUT125 (HVM25)	M125X2	126	167	195	44	7	5	65,0	520	5,6
HYD.NUT130 (HVM26)	M130X2	131	171	200	44	7	5	65,0	520	5,8
HYD.NUT135 (HVM27)	M135X2	136	176	205	45	7	5	66,6	533	6,0
HYD.NUT140 (HVM28)	M140X2	140,5	182	208	45	7	5	69,0	552	6,3
HYD.NUT145 (HVM29)	M145X2	146	186	215	46	7	5	70,6	565	6,6
HYD.NUT150 (HVM30)	M150X2	150,5	191	220	46	7	5	75,3	602	6,8
HYD.NUT155 (HVM31)	M155X3	156	200	226	46	7	5	81,8	654	7,2
HYD.NUT160 (HVM32)	M160X3	160,5	206	232	47	7	6	87,2	698	8,0
HYD.NUT165 (HVM33)	M165X3	166	211	240	47	7	6	92,3	739	8,2
HYD.NUT170 (HVM34)	M170X3	171	216	245	48	7	6	94,7	758	8,6
HYD.NUT180 (HVM36)	M180X3	181	227	255	48	7	6	103,0	824	9,1
HYD.NUT190 (HVM38)	M190X3	191	240	270	50	8	8	116,0	928	10,5
HYD.NUT200 (HVM40)	M200X3	201	251	280	50	8	8	125,0	1000	11,5
HYD.NUT205 (HVM41)	Tr205X4	207	258	290	51	8	8	132,2	1058	12,3
HYD.NUT210 (HVM42)	Tr210X4	212	263	294	52	9	9	135,0	1080	12,7
HYD.NUT215 (HVM43)	Tr215X4	217	268	300	53	9	9	137,7	1102	13,2
HYD.NUT220 (HVM44)	Tr220X4	222	273	305	53	9	9	144,2	1154	13,5
HYD.NUT225 (HVM45)	Tr225X4	227	282	315	54	9	10	153,0	1224	15,0
HYD.NUT230 (HVM46)	Tr230X4	232	287	320	54	9	10	160,0	1280	15,3
HYD.NUT235 (HVM47)	Tr235X4	237	290	325	54	9	10	161,7	1294	15,5
HYD.NUT240 (HVM48)	Tr240X4	242	296	330	55	9	10	165,3	1322	16,1
HYD.NUT250 (HVM50)	Tr250X4	252	310	342	56	10	10	182,2	1458	18,0
HYD.NUT260 (HVM52)	Tr260X4	262	319	356	57	10	11	188,0	1504	19,0
HYD.NUT270 (HVM54)	Tr270X4	272	332	370	58	10	12	196,0	1568	21,1
HYD.NUT275 (HVM55)	Tr275X4	277	337	375	58	10	12	204,0	1632	21,5
HYD.NUT280 (HVM56)	Tr280X4	282	342	380	59	10	12	211,7	1694	22,3
HYD.NUT290 (HVM58)	Tr290X4	292	352	390	60	10	13	218,3	1747	23,3
HYD.NUT295 (HVM59)	Tr295X4	297	362	400	60	10	13	230,0	1840	25,0
HYD.NUT300 (HVM60)	Tr300X4	302	365	405	61	10	13	237,0	1896	25,8



Product No.	Thread (G)	Dimensions (mm)					Max. Displacement	Piston Area (cm <sup>2</sup> )	Drive-up force kN at 800 bar	Weight (Kg)
		d1	d2	d3	B	B1				
HYD.NUT310 (HVM62)	Tr310X5	312	375	415	62	10	13	249,0	1992	27,0
HYD.NUT315 (HVM63)	Tr315X5	317	380	420	62	10	13	252,5	2020	27,5
HYD.NUT320 (HVM64)	Tr320X5	322	389	430	63	10	14	264,0	2112	29,9
HYD.NUT330 (HVM66)	Tr330X5	332	398	440	64	11	14	270,8	2166	31,0
HYD.NUT335 (HVM67)	Tr335X5	337	403	445	65	11	14	275,0	2200	32,0
HYD.NUT340 (HVM68)	Tr340X5	342	408	450	65	11	14	284,0	2272	32,5
HYD.NUT345 (HVM69)	Tr345X5	347	413	455	66	11	14	288,0	2304	33,5
HYD.NUT350 (HVM70)	Tr350X5	352	422	465	66	11	14	306,0	2448	35,0
HYD.NUT355 (HVM71)	Tr355X5	357	427	470	67	11	15	304,0	2432	36,5
HYD.NUT360 (HVM72)	Tr360X5	362	431	475	67	11	15	313,0	2504	37,0
HYD.NUT365 (HVM73)	Tr365X5	367	436	482	67	11	15	317,0	2536	38,0
HYD.NUT370 (HVM74)	Tr370X5	372	444	490	68	11	16	323,0	2584	40,0
HYD.NUT375 (HVM75)	Tr375X5	377	450	495	68	11	16	334,0	2672	41,0
HYD.NUT380 (HVM76)	Tr380X5	382	454	498	69	11	16	337,0	2696	41,5
HYD.NUT385 (HVM77)	Tr385X5	387	460	505	69	11	16	348,0	2784	42,0
HYD.NUT395 (HVM79)	Tr395X5	397	470	512	69	11	16	356,0	2848	43,0
HYD.NUT400 (HVM80)	Tr400X5	402	477	522	71	11	17	368,0	2944	47,0
HYD.NUT410 (HVM82)	Tr410X5	412	485	535	71	11	17	382,0	3056	48,0
HYD.NUT415 (HVM81)	Tr415X5	417	490	540	71	11	17	386,0	3088	49,0
HYD.NUT420 (HVM84)	Tr420X5	422	495	546	72	12	17	390,0	3120	50,0
HYD.NUT430 (HVM86)	Tr430X5	432	505	555	74	12	17	398,0	3184	52,0
HYD.NUT435 (HVM87)	Tr435X5	437	510	560	74	12	17	403,0	3224	53,0
HYD.NUT440 (HVM88)	Tr440X5	442	519	566	74	12	17	425,0	3400	54,0
HYD.NUT450 (HVM90)	Tr450X5	452	530	580	76	12	17	442,0	3536	58,0
HYD.NUT460 (HVM92)	Tr460X5	462	540	590	76	12	18	450,0	3600	59,5
HYD.NUT470 (HVM94)	Tr470X5	472	550	600	76	12	18	459,0	3672	61,0
HYD.NUT480 (HVM96)	Tr480X5	482	560	612	76	12	18	460,0	3680	63,0
HYD.NUT490 (HVM98)	Tr490X5	492	575	625	80	13	19	506,0	4048	69,0
HYD.NUT500 (HVM100)	Tr500X5	502	585	635	80	13	20	523,0	4185	70,0
HYD.NUT510 (HVM102)	Tr510X6	512	595	645	80	13	20	533,0	4264	72,0
HYD.NUT520 (HVM104)	Tr520X6	522	605	657	80	13	21	542,0	4336	75,0
HYD.NUT530 (HVM106)	Tr530X6	532	617	670	83	13	22	562,0	4496	80,0
HYD.NUT540 (HVM108)	Tr540X6	542	628	680	83	13	22	581,0	4648	82,5
HYD.NUT550 (HVM110)	Tr550X6	552	639	692	83	13	22	592,0	4736	84,5
HYD.NUT560 (HVM112)	Tr560X6	562	650	705	83	13	22	612,0	4896	88,0
HYD.NUT570 (HVM114)	Tr570X6	572	660	715	85	13	23	631,0	5048	92,0
HYD.NUT580 (HVM116)	Tr580X6	582	670	725	85	13	23	641,0	5128	93,0
HYD.NUT590 (HVM118)	Tr590X6	592	685	740	85	13	23	666,0	5328	98,0
HYD.NUT600 (HVM120)	Tr600X6	603	695	750	85	13	23	677,0	5416	100,0