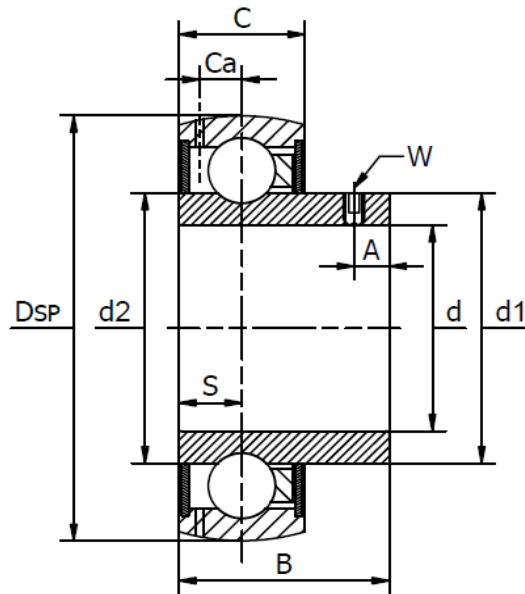




SB 200 SS Series

Stainless steel, location by set screws, operating temperature range -30°C to +110°C, universal regreaseable acc. to common european and japanese standards, FDA & NSF approved grease.



Bearing no.	Dimensions (mm)										Basic load Ratings (N)		Weight (kg)
	d	D _{SP}	B	A	C	C _a	d ₁	d ₂	S	W	C _r	C _{or}	
SB 201 SS	12	40	22,0	4,0	12	3,4	23,9	22,9	6,0	2,5	8.100	4.150	0,10
SB 202 SS	15	40	22,0	4,0	12	3,4	23,9	22,9	6,0	2,5	8.100	4.150	0,09
SB 203 SS	17	40	22,0	4,0	12	3,4	23,9	22,9	6,0	2,5	8.100	4.150	0,08
SB 204 SS	20	47	25,0	4,5	14	4,0	28,3	26,7	7,0	3,0	10.900	5.700	0,13
SB 205 SS	25	52	27,0	5,0	15	3,9	33,5	30,4	7,5	3,0	11.800	6.950	0,16
SB 206 SS	30	62	30,0	6,0	16	5,0	39,4	37,3	8,0	3,0	16.500	10.900	0,26
SB 207 SS	35	72	35,0	6,0	19	5,6	46,9	44,5	9,5	4,0	21.500	14.900	0,41
SB 208 SS	40	80	39,5	8,0	21	6,4	52,4	49,3	10,5	4,0	27.100	19.500	0,53
SB 209 SS	45	85	41,5	8,0	22	6,4	57,0	54,3	11,0	4,0	27.700	20.100	0,60
SB 210 SS	50	90	43,0	9,0	22	6,9	62,0	59,3	11,0	4,0	29.600	23.100	0,67
SB 212 SS	60	110	47,0	10,0	24	7,2	76,0	73,6	13,0	5,0	43.900	36.000	1,17

Materials:

Inner & Outer Races: AISI 420-440 Stainless

Cage: AISI 302 Stainless

Balls: AISI 420 Stainless

Seals: Rubber & AISI 302 Stainless

Set Screws: AISI 420 Stainless

Grease Nipple: AISI 304

Grease: Food Grade FDA & NSF approved