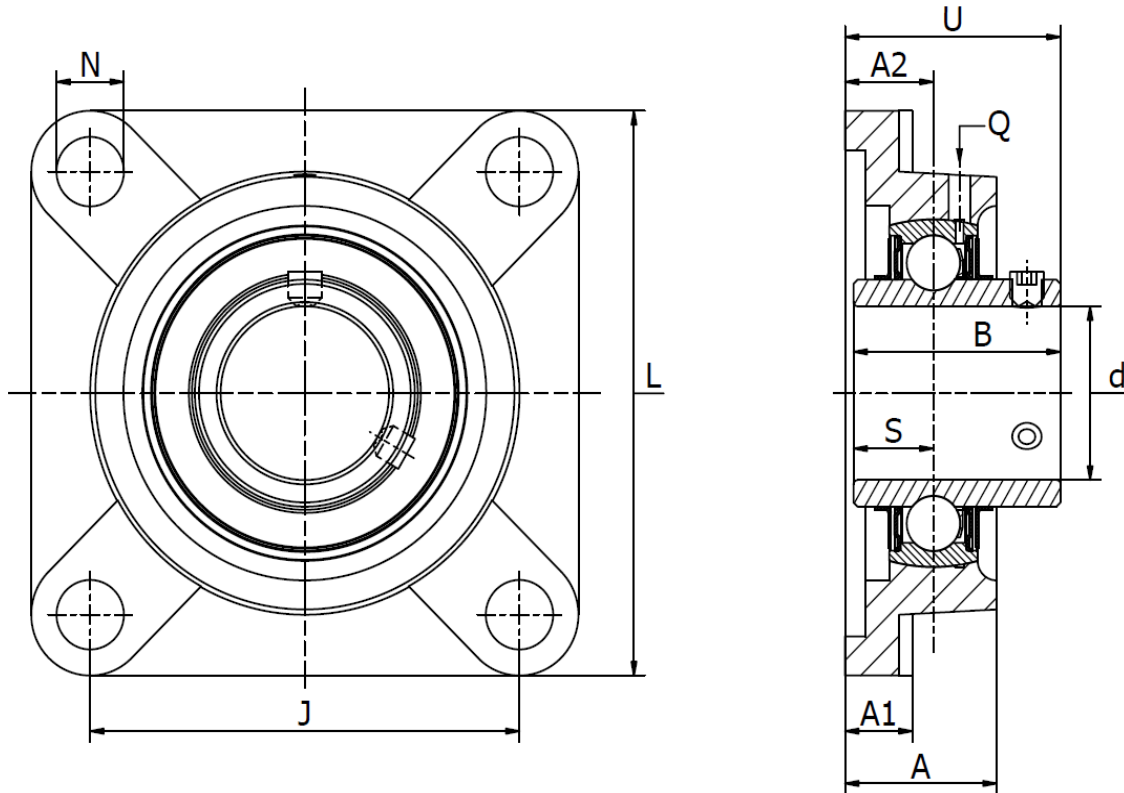




UCF 200 SS - Stainless Steel 4-Bolt Flange Units

Set Screw Locking, normal duty, also available in a solid base version, FDA & NSF.



| Part No. | d mm | Dimensions (mm) | | | | | | | | | | Bolt Size | Weight (kg) |
|------------|---------|-----------------|-----|------|----------------|----------------|------|------|------|------|----|--------------|----------------|
| | | L | J | B | A ₂ | A ₁ | A | U | N | S | Q | | |
| UCF 201 SS | 12 | 86 | 64 | 31,0 | 15 | 11,0 | 25,5 | 33,3 | 12,0 | 12,7 | M6 | M10 | 0,61 |
| UCF 202 SS | 15 | 86 | 64 | 31,0 | 15 | 11,0 | 25,5 | 33,3 | 12,0 | 12,7 | M6 | M10 | 0,61 |
| UCF 203 SS | 17 | 86 | 64 | 31,0 | 15 | 11,0 | 25,5 | 33,3 | 12,0 | 12,7 | M6 | M10 | 0,61 |
| UCF 204 SS | 20 | 86 | 64 | 31,0 | 15 | 11,0 | 25,5 | 33,3 | 12,0 | 12,7 | M6 | M10 | 0,61 |
| UCF 205 SS | 25 | 95 | 70 | 34,0 | 16 | 13,0 | 27,0 | 35,7 | 12,0 | 14,3 | M6 | M10 | 0,80 |
| UCF 206 SS | 30 | 108 | 83 | 38,0 | 18 | 14,3 | 31,0 | 40,2 | 12,0 | 15,9 | M6 | M10 | 1,07 |
| UCF 207 SS | 35 | 117 | 92 | 42,9 | 19 | 15,0 | 34,0 | 44,4 | 14,0 | 17,5 | M6 | M12 | 1,40 |
| UCF 208 SS | 40 | 130 | 102 | 49,2 | 21 | 15,0 | 36,0 | 51,2 | 16,0 | 19,0 | M6 | M14 | 1,80 |
| UCF 209 SS | 45 | 137 | 105 | 49,2 | 22 | 16,0 | 38,0 | 52,2 | 16,0 | 19,0 | M6 | M14 | 2,20 |
| UCF 210 SS | 50 | 143 | 111 | 51,6 | 22 | 16,0 | 40,0 | 54,6 | 16,0 | 19,0 | M6 | M14 | 2,40 |
| UCF 211 SS | 55 | 162 | 130 | 55,5 | 25 | 18,0 | 43,0 | 58,4 | 19,0 | 22,2 | M6 | M16 | 3,50 |
| UCF 212 SS | 60 | 175 | 143 | 65,0 | 29 | 19,5 | 48,0 | 68,7 | 19,0 | 25,4 | M6 | M16 | 4,20 |
| UCF 213 SS | 65 | 187 | 149 | 65,0 | 30 | 22,0 | 50,0 | 69,7 | 19,0 | 25,4 | M6 | M16 | 5,30 |
| UCF 214 SS | 70 | 193 | 152 | 74,6 | 31 | 22,0 | 54,0 | 75,4 | 19,0 | 30,2 | M6 | M16 | 5,90 |
| UCF 215 SS | 75 | 200 | 159 | 78,0 | 34 | 22,0 | 56,0 | 78,5 | 19,0 | 33,3 | M6 | M16 | 6,30 |
| UCF 216 SS | 80 | 208 | 165 | 82,5 | 34 | 22,0 | 57,0 | 83,3 | 23,0 | 33,3 | M6 | M20 | 7,30 |

Add suffix **SOLID** to order the solid base version.

Bearing Inserts:

Inner & Outer Races: AISI 420-440 Stainless

Cage: AISI 302 Stainless

Balls: AISI 420-440 Stainless

Seals: Rubber & AISI 302 Stainless

Set Screws: AISI 420 Stainless

Grease Nipple: AISI 304

Grease: Mobil FM 222 Food Grade FDA & NSF approved

Housing:

AISI 304 Stainless, also available in a solid base version.

The solid base version has no cavities in the bottom where dirt can collect over time, thus making it easier to keep clean.