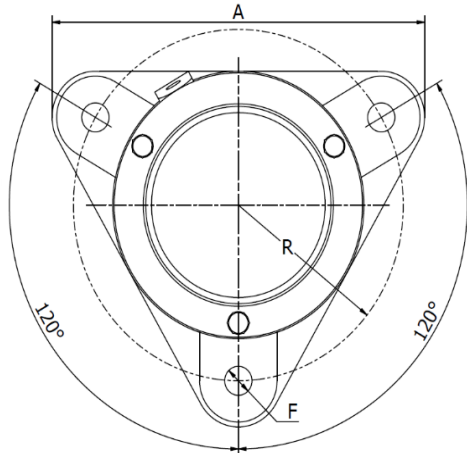


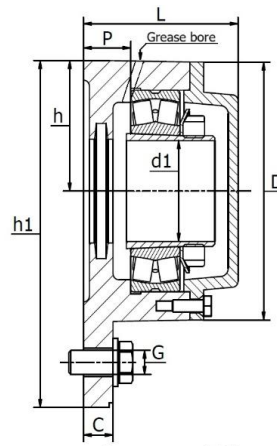


722500 DA/DB Series - Flanged Bearing Housings (incl. felt seals)

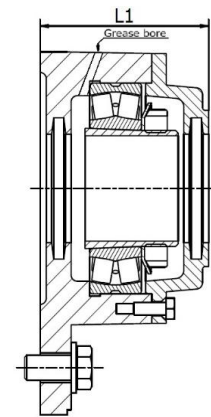
For self aligning ball or roller bearings with adapter sleeve.



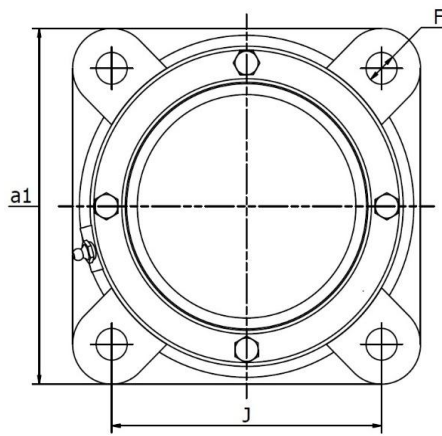
Form for shafts Ø20 - Ø60



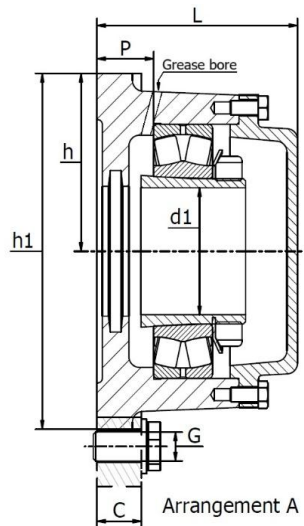
Arrangement DA



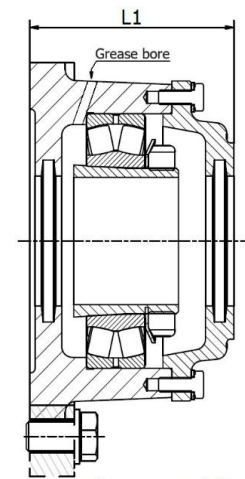
Arrangement DB



Form for shafts Ø65 - Ø100



Arrangement A



Arrangement B

Housing Reference	Weight (kg)	Dimensions (mm)														
		d ₁	D ₁	L	L ₁	h	h ₁	a	c	R	F	G	P	a ₁	J	
722505 DA	722505 DB	1,2	20	75	51,5	56,5	38	100	110	10	48	11,5	M 10	15	-	-
722506 DA	722506 DB	1,5	25	86	57	62	44	117	130	12	58	11,5	M 10	16	-	-
722507 DA	722507 DB	1,8	30	97	59,5	63,5	48,5	130	145	12	65	14	M 12	16	-	-
722508 DA	722508 DB	2,3	35	108	64	65,5	54	143	160	12	70	14	M 12	17	-	-
722509 DA	722509 DB	3,0	40	113	64,5	69,5	60	160	180	12	80	14	M 12	20	-	-
722510 DA	722510 DB	3,2	45	118	68,5	72	60	160	180	15	80	14	M 12	22	-	-
722511 DA	722511 DB	4,1	50	128	77	82	65	172	190	15	85	14	M 12	24	-	-
722512 DA	722512 DB	4,8	55	142	77	82	72	189	210	15	90	14	M 12	23	-	-
722513 DA	722513 DB	5,9	60	152	80	86	78	203	225	15	95	14	M 12	22	-	-
722515 A	722515 B	9,5	65	168	100	107	95	-	-	25	-	18	M 16	30	190	152
722516 A	722516 B	10,0	70	176	112	114	98	-	-	25	-	18	M 16	31	196	152
722517 A	722517 B	12,0	75	188	107	115	105	-	-	25	-	18	M 16	31	210	170
722518 A	722518 B	13,0	80	198	112	119	105	-	-	25	-	18	M 16	30	210	170
722520 A	722520 B	18,0	90	224	124	134	125	-	-	30	-	22	M 20	30	250	198
722522 A	722522 B	22,0	100	246	134	137	135	-	-	30	-	22	M 20	30	270	219

Continue to the next page



722500 DA/DB Series - Flanged Bearing Housings (incl. felt seals)

For self aligning ball or roller bearings with adapter sleeve.

Housing Reference	Bearing + Adapter Sleeve	Fixing Rings	Felt Strip	* Optional Rubber Seal	End Cover Bolts
722505 DA 722505 DB	1205 K + H 205	1 x FR 5/52	5x4 mm	ZF05	M5 x 16 DIN 964
	2205 K + H 305 22205 K + H 305	1 x FR 2/52			
722506 DA 722506 DB	1206 K + H 206	1 x FR 6/62	6x5 mm	ZF06	M5 x 16 DIN 964
	2206 K + H 306 22206 K + H 306	1 x FR 2/62			
722507 DA 722507 DB	1207 K + H 207	1 x FR 8/72	6x5 mm	ZF07	M5 x 16 DIN 964
	2207 K + H 307 22207 K + H 307	1 x FR 2/72			
722508 DA 722508 DB	1208 K + H 208	1 x FR 7/80	6x5 mm	ZF08	M5 x 16 DIN 964
	2208 K + H 308 22208 K + H 308	1 x FR 2/80			
722509 DA 722509 DB	1209 K + H 209	1 x FR 6/85	6x5 mm	ZF09	M6 x 16 DIN 964
	2209 K + H 309 22209 K + H 309	1 x FR 2/85			
722510 DA 722510 DB	1210 K + H 210	1 x FR 5/90	6x5 mm	ZF10	M6 x 16 DIN 964
	2210 K + H 310 22210 K + H 310	1 x FR 2/90			
722511 DA 722511 DB	1211 K + H 211	1 x FR 6/100	8x6,5 mm	ZF11	M6 x 16 DIN 964
	2211 K + H 311 22211 K + H 311	1 x FR 2/100			
722512 DA 722512 DB	1212 K + H 212	1 x FR 8/110	8x6,5 mm	ZF12	M6 x 16 DIN 964
	2212 K + H 312 22212 K + H 312	1 x FR 2/110			
722513 DA 722513 DB	1213 K + H 213	1 x FR 10/120	8x6,5 mm	ZF13	M6 x 16 DIN 964
	2213 K + H 313 22213 K + H 313	1 x FR 2/120			
722515 A 722515 B	1215 K + H 215	2 x FR 8/130	8x6,5 mm	ZF15	M8 x 25 DIN 933
	2215 K + H 315 22215 K + H 315	1 x FR 10/130			
722516 A 722516 B	1216 K + H 216	2 x FR 9/140	9x7,5 mm	ZF16	M8 x 25 DIN 933
	2216 K + H 316 22216 K + H 316	1 x FR 10/140			
722517 A 722517 B	1217 K + H 217	2 x FR 9/150	9x7,5 mm	ZF17	M8 x 25 DIN 933
	2217 K + H 317 22217 K + H 317	1 x FR 10/150			
722518 A 722518 B	1218 K + H 218	2 x FR 10/160	9x7,5 mm	ZF18	M8 x 25 DIN 933
	2218 K + H 318 22218 K + H 318	1 x FR 10/160			
722520 A 722520 B	1220 K + H 220	1 x FR 10/180	10x8,5 mm	ZF20	M8 x 25 DIN 933
	2220 K + H 320 22220 K + H 320	1 x FR 10/180			
722522 A 722522 B	1222 K + H 222	2 x FR 12,5/200	12x10 mm	ZF22	M8 x 25 DIN 935
	2222 K + H 322 22222 K + H 322	1 x FR 10/200			

* Optional rubber lip seals ZF to be ordered separately. A/DA = 1 pcs per housing, B/DB = 2 pcs per housing.