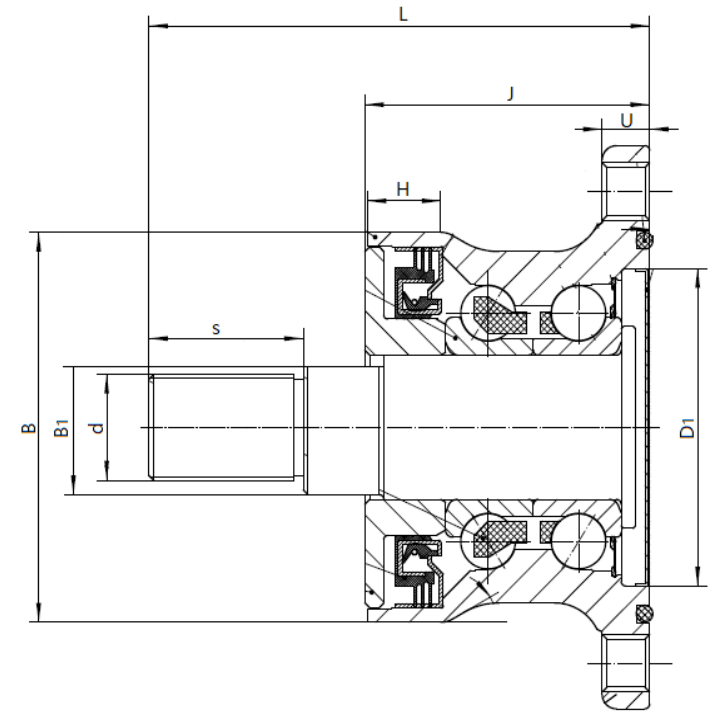
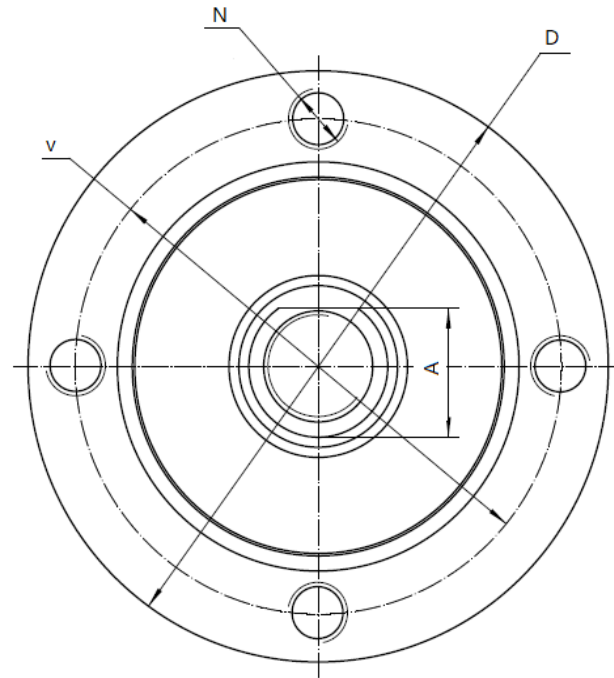




AGH Series - Hub Bearing Units (BAA-00..)

maintenance-free, sealed bearing units



| Part No. | Dimensions (mm) | | | | | | | | | | | | | Basic load rating (kN) | |
|---------------------|-----------------|-----|----|------|----|----|------|----|-----|----|----|----|--------------|------------------------|------------|
| | d | D | v | A | B | B1 | s | D1 | L | J | H | U | N | Dynamic Cr | Static Cor |
| AGH0003* (BAA-0003) | - | 117 | 98 | - | 81 | 30 | - | 66 | - | 59 | 15 | 10 | 4 * M12X1,25 | 47,5 | 37,5 |
| AGH0004 (BAA-0004) | M22X1,5 | 117 | 98 | 25,5 | 81 | 28 | 28,5 | 66 | 102 | 60 | 15 | 10 | 4 * M12X1,25 | 47,5 | 37,5 |
| AGH0005 (BAA-0005) | M24X2 | 117 | 98 | 25,5 | 81 | 28 | 28,5 | 66 | 102 | 60 | 15 | 10 | 4 * M12X1,25 | 47,5 | 37,5 |
| AGH0006 (BAA-0006) | M22X1,5 | 117 | 98 | 25,5 | 81 | 28 | 28,5 | 66 | 102 | 60 | 15 | 10 | 6 * M12X1,25 | 47,5 | 37,5 |
| AGH0009 (BAA-0009) | M24X2 | 117 | 98 | 25,5 | 81 | 30 | 32,5 | 66 | 105 | 60 | 15 | 10 | 4 * M12X1,25 | 47,5 | 37,5 |
| AGH0012 (BAA-0012) | M22X1,5 | 117 | 98 | 25,5 | 81 | 28 | 32,5 | 66 | 102 | 60 | 15 | 10 | 5 * M12X1,25 | 46,8 | 36,6 |
| AGH0013 (BAA-0013) | M24X2 | 117 | 98 | 27,5 | 81 | 30 | 32,5 | 66 | 105 | 60 | 15 | 10 | 6 * M12X1,25 | 47,5 | 37,5 |

*AGH0003 is without shaft