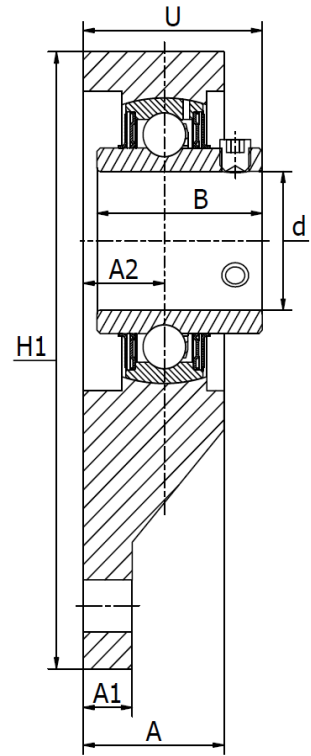
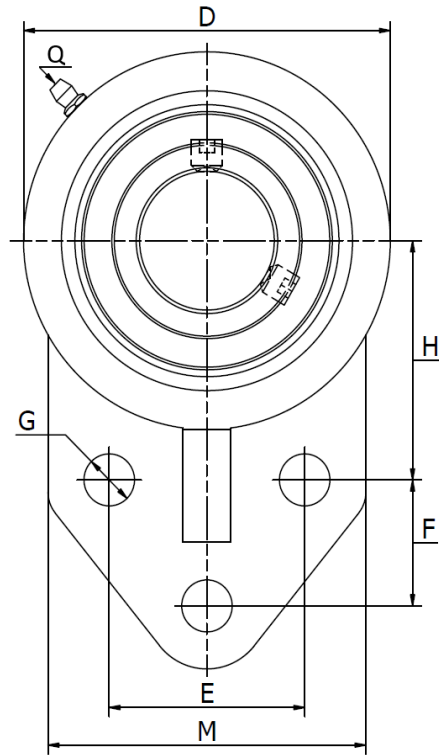




UCFB 200 Series (American Standard)

3-bolt flanged bracket, normal duty, cast iron housing, set screw lock. Temperature range - 30°C to +110°C



Part No.	Dimensions (mm)													Bearing No.	Weight (kg)
	d	H1	A	A1	D	E	F	G	H	A2	U	M	Q		
UCFB 201	12	108	25,5	8,0	64	38,1	22,2	10	43,0	16	34,3	60	M6x1	UC 201	0,7
UCFB 202	15	108	25,5	8,0	64	38,1	22,2	10	43,0	16	34,3	60	M6x1	UC 202	0,7
UCFB 203	17	108	25,5	8,0	64	38,1	22,2	10	43,0	16	34,3	60	M6x1	UC 203	0,7
UCFB 204	20	108	25,5	8,0	64	38,1	22,2	10	43,0	16	34,3	60	M6x1	UC 204	0,7
UCFB 205	25	121	29,0	9,5	70	41,3	28,6	10	46,0	17	36,8	64	M6x1	UC 205	0,8
UCFB 206	30	137	32,0	9,5	83	47,6	31,8	10	52,4	19	41,2	70	M6x1	UC 206	1,3
UCFB 207	35	156	37,0	13,0	95	50,8	31,8	10	60,0	21	46,4	83	M6x1	UC 207	1,7
UCFB 208	40	164	36,0	14,0	100	50,0	41,0	12	60,0	21	51,2	78	M6x1	UC 208	2,0
UCFB 209	45	174	34,0	18,0	106	54,0	43,0	12	65,0	21	51,2	80	M6x1	UC 209	2,3
UCFB 210	50	191	38,0	13,0	118	70,0	41,3	12	74,6	21	53,6	102	M6x1	UC 210	2,9