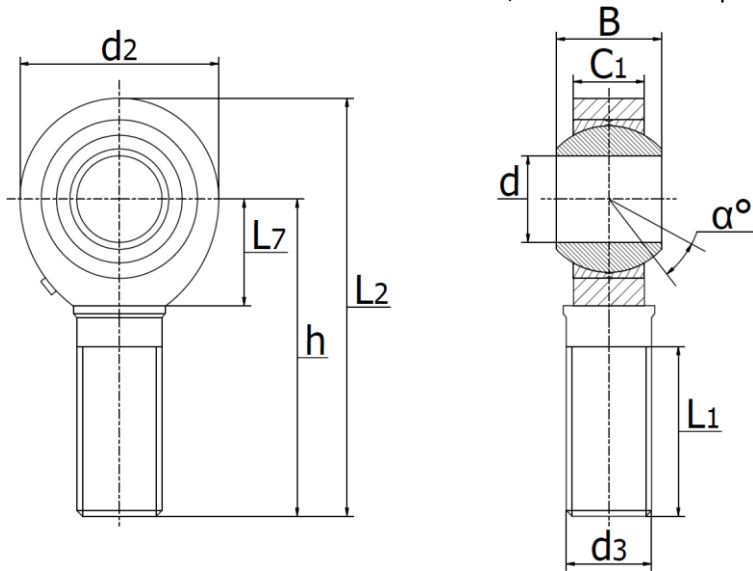




## GAKR..PB - Rod ends

with external thread, maintenance required, to DIN ISO 12 240-4, right hand thread, (TSM / SAKAC .. M / GAS / KA / SMC / SAPB .. S).



Rod body with right-hand male thread.

It is made up of a radial spherical plain bearing G..PB and rod body.

Surface of rod body zinc plated.

Material: Steel innerring, brass outerring.

Temperatur range -60°C to +250°C

Part No.	Dimensions (mm)											Load ratings (kN)		Weight (kg)	
	d	d <sub>3</sub>	B	C <sub>1</sub>	L <sub>1 min</sub>	d <sub>2</sub>	L <sub>7 min</sub>	h	L <sub>2</sub>	d <sub>k</sub>	R <sub>15</sub>	α	dyn. C		stat. C0
<b>GAKR5PB</b>	5	M5x0,8	8	6	19	18	-	33	42	11,110	0,3	13°	5,7	6	0,013
<b>GAKR6PB</b>	6	M6x1,0	9	6,75	21	20	-	36	46	12,700	0,3	13°	7,2	7,65	0,02
<b>GAKR8PB</b>	8	M8x1,25	12	9	25	24	-	42	54	15,875	0,3	14°	11,6	12,9	0,038
<b>GAKR10PB</b>	10	M10x1,5	14	10,5	28	28	-	48	62	19,050	0,3	13°	14,5	18	0,055
<b>GAKR12PB</b>	12	M12x1,75	16	12	32	32	-	54	70	22,225	0,3	13°	17	24	0,085
<b>GAKR14PB</b>	14	M14x2,0	19	13,5	36	36	18	60	78	25,400	0,3	16°	24	31	0,14
<b>GAKR16PB</b>	16	M16x2,0	21	15	37	42	21	66	87	28,575	0,3	15°	28,5	39	0,21
<b>GAKR18PB</b>	18	M18x1,5	23	16,5	41	44	22	72	94	31,750	0,3	15°	42,5	47,5	0,28
<b>GAKR20PB</b>	20	M20x1,5	25	18	45	50	25	78	103	34,925	0,3	14°	42,5	57	0,38
<b>GAKR22PB</b>	22	M22x1,5	28	20	48	54	27	84	111	38,100	0,3	15°	57	68	0,48
<b>GAKR25PB</b>	25	M24x2,0	31	22	55	60	30	94	124	42,860	0,3	15°	68	85	0,64
<b>GAKR28PB</b>	28	M27x2,0	35	24	62	66	33	103	136	47,630	0,3	15°	86	107	0,8
<b>GAKR30PB</b>	30	M30x2,0	37	25	66	70	35	110	145	50,800	0,3	17°	88	114	1,1
<b>GAKR35PB</b>	35	M36x2,0	43	28	70	81	40	125	165,5	57,150	0,3	16°	93	146	1,64
<b>GAKR40PB</b>	40	M42x2,0	49	33	90	91	45	142	187,5	66,670	0,3	17°	99	180	2,3
<b>GAKR50PB</b>	50	M48x2,0	60	45	105	117	58	160	218,5	82,500	0,3	12°	156	290	4,8