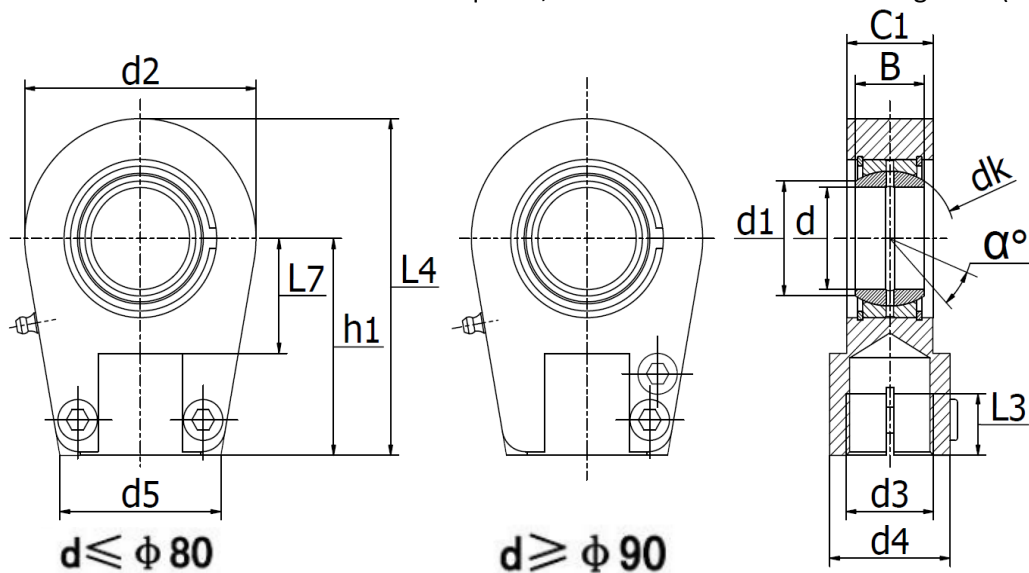




GIHR-K..DO - Rod Ends For Hydraulic Components

Maintenance required, with female thread and locking nuts. (SIR .. ES / TAPR .. U / FPR .. U / GK .. NK / SIR .. ES / DGIHR-K .. DO / WAPR .. U)



Rod ends housing with right hand female thread.

It is made up of a radial spherical plain bearing GE .. DO or GE .. DO 2RS.

With locking slot and nut.

Rod end housing with a lubricating hole or grease nipple.

Material: Steel inner- and outerring.

Temperatur range -50°C to +200°C

Part No.	Dimensions (mm)											Load ratings (kN)		Weight (kg)			
	d	d _{3 6H}	d ₄	L _{3 min}	B	C ₁	d ₂	L _{7 min}	h ₁	L ₄	d ₅	d ₁	d _k		α	dyn. C	stat. C0
GIHR-K20DO	20	M16x1,5	25	17	16	19	56	25	50	80,0	46	24,2	29,0	9°	30	72	0,43
GIHR-K25DO	25	M16x1,5	25	17	20	23	56	28	50	80,0	46	29,3	35,5	7°	48	72	0,48
GIHR-K30DO	30	M22x1,5	32	23	22	28	64	30	60	94,0	50	34,2	40,7	6°	62	106	0,74
GIHR-K35DO	35	M28x1,5	40	29	25	30	78	38	70	112,0	66	39,8	47,0	6°	80	153	1,20
GIHR-K40DO	40	M35x1,5	49	36	28	35	94	45	85	135,0	76	45,0	53,0	7°	100	250	2,00
GIHR-K50DO	50	M45x1,5	61	46	35	40	116	55	105	168,0	90	55,9	66,0	6°	156	365	3,80
GIHR-K60DO	60	M58x1,5	75	59	44	50	130	65	130	200,0	120	66,8	80,0	6°	245	400	5,40
GIHR-K70DO	70	M65x1,5	86	66	49	55	154	75	150	232,0	130	77,9	92,0	6°	315	540	8,50
GIHR-K80DO	80	M80x2,0	105	81	55	60	176	80	170	265,0	160	89,4	105,0	6°	400	670	12,00
GIHR-K90DO	90	M100x2,0	124	101	60	65	206	90	210	323,0	180	98,1	115,0	5°	490	980	21,50
GIHR-K100DO	100	M110x2,0	138	111	70	70	231	105	235	360,0	200	109,5	130,0	7°	610	1120	27,50
GIHR-K110DO	110	M120x3,0	152	125	70	80	266	115	265	407,5	220	121,2	140,0	6°	655	1700	40,50
GIHR-K120DO	120	M130x3,0	172	135	85	90	340	140	310	490,0	257	135,5	160,0	6°	950	2900	76,00