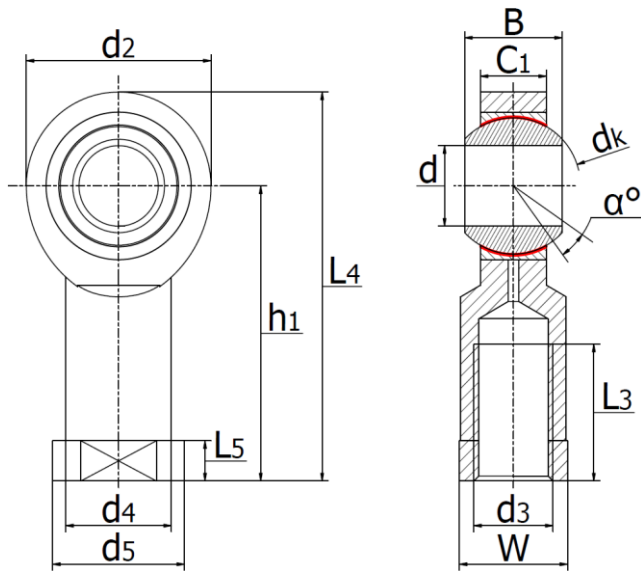




GIKR..PW - Rod ends

with internal thread, maintenance free, to DIN ISO 12 240-4, right hand thread, (TSF .. C / SIKB .. F / GISW / KI .. D / SFCP / SIK .. C).



Rod body with right-hand female thread.

It is made up of a radial spherical plain bearing and rod body.

Surface of rod body zinc plated.

Material: Steel innerring, PTFE coated outerring.

Temperatur range -50°C to +200°C

Part No.	Dimensions (mm)													Load ratings (kN)		Weight (kg)	
	d	d ₃	B	C ₁	L ₃	W	d ₂	h ₁	L ₄	L ₅	d ₄	d ₅	d _k	α	dyn. C		stat. C0
GIKR5PW	5	M5x0,8	8	6	10	9	18	27	36	4	8,5	11	11,11	13	5,7	6	0,02
GIKR6PW	6	M6x1,0	9	6,75	12	11	20	30	40	5	10	13	12,7	13	7,2	7,65	0,02
GIKR8PW	8	M8x1,25	12	9	16	14	24	36	48	5	12,5	16	15,875	14	11,6	12,9	0,05
GIKR10PW	10	M10x1,5	14	10,5	20	17	28	43	57	6,5	15	19	19,05	13	14,5	18	0,08
GIKR12PW	12	M12x1,75	16	12	22	19	32	50	66	6,5	17,5	22	22,225	13	17	24	0,10
GIKR14PW	14	M14x2,0	19	13,5	25	22	36	57	75	8	20	25	25,4	16	24	31	0,16
GIKR16PW	16	M16x2,0	21	15	28	22	42	64	85	8	22	27	28,575	15	28,5	39	0,22
GIKR18PW	18	M18x1,5	23	16,5	32	27	44	71	93	10	25	31	31,75	15	42,5	47,5	0,32
GIKR20PW	20	M20x1,5	25	18	33	30	50	77	102	10	27,5	34	34,925	14	42,5	57	0,42
GIKR22PW	22	M22x1,5	28	20	37	32	54	84	111	12	30	38	38,1	15	57	68	0,54
GIKR25PW	25	M24x2,0	31	22	42	36	60	94	124	12	33,5	42	42,86	15	68	85	0,72
GIKR28PW	28	M27x2,0	35	24	51	41	66	103	136	14	37	46	47,63	15	86	107	0,82
GIKR30PW	30	M30x2,0	37	25	51	41	70	110	145	15	40	50	50,8	17	88	114	1,10
GIKR35PW	35	M36x2,0	43	28	56	50	81	125	165,5	17	46	58	57,15	16	-	-	1,60
GIKR40PW	40	M42x2,0	49	33	60	55	91	142	187,5	19	53	65	66,67	16	-	-	2,40
GIKR50PW	50	M48x2,0	60	45	65	65	117	160	218,5	23	65	75	82,5	12	-	-	5,00