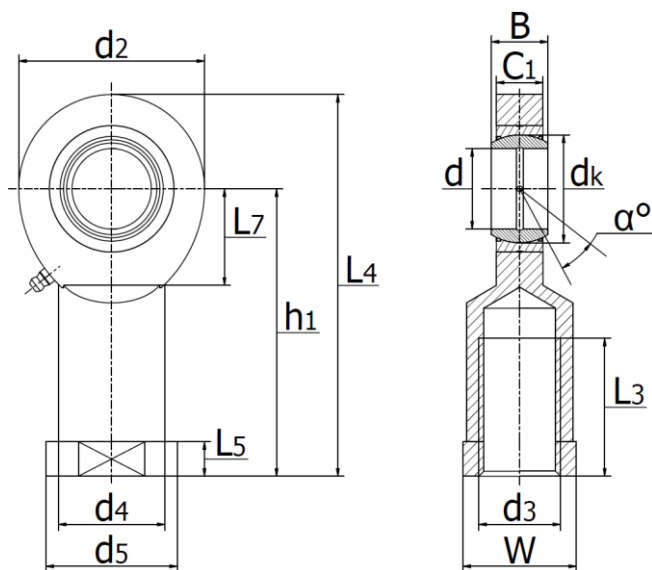




GIL..DO (2RS) - Rod ends

with internal thread, requiring maintenance, to DIN ISO 12 240-4, left hand thread, (SIL .. ES / EIL).



Rod body with left-hand female thread.

It is made up of a radial spherical plain bearing GE..DO or GE..DO.2RS and rod body.

Surface of rod body zinc plated, with a lubricating hole or grease nipple.

No lubrication grooves and holes in the models marked with a *.

Material: Steel inner- and outerring.

Temperatur range suffix 2RS -30°C to +130°C

Temperatur range no suffix -50°C to +200°C

Part No.		Dimensions (mm)													Load ratings (kN)		Weight	
Open	Sealed	d	d ₃	B	C ₁	L ₃	W	d ₂	h ₁	L ₄	L ₅	d ₄	d ₅	d _k	α	dyn. C	stat. C0	(kg)
GIL6DO*	-	6	M6x1,0	6	4,4	11	11	21	30	40,5	5	10	13	10	13	3,4	8,15	0,021
GIL8DO*	-	8	M8x1,25	8	6	15	14	24	36	48	5	12,5	16	13	15	5,5	12,9	0,039
GIL10DO*	-	10	M10x1,5	9	7	20	17	29	43	57,5	6,5	15	19	16	12	8,15	17,6	0,061
GIL12DO*	-	12	M12x1,75	10	8	23	19	34	50	67	6,5	17,5	22	18	11	10,8	24,5	0,096
GIL15DO	-	15	M14x2,0	12	10	30	22	40	61	81	8	21	26	22	8	17	36	0,18
GIL17DO	-	17	M16x2,0	14	11	34	27	46	67	90	10	24	30	25	10	21,2	45	0,22
GIL20DO	-	20	M20x1,5	16	13	40	32	53	77	103,5	10	27,5	35	29	9	30	60	0,35
GIL25DO	-	25	M24x2,0	20	17	48	36	64	94	126	12	33,5	42	35,5	7	48	83	0,64
GIL30DO	-	30	M30x2,0	22	19	56	41	73	110	146,5	15	40	50	40,7	6	62	110	0,93
-	GIL35DO.2RS	35	M36x3,0	25	21	60	50	82	125	166	15	47	58	47	6	80	146	1,3
-	GIL40DO.2RS	40	M39x3,0	28	23	65	55	92	142	188	18	52	65	53	7	100	180	2
-	GIL45DO.2RS	45	M42x3,0	32	27	65	60	102	145	196	20	58	70	60	7	127	240	2,5
-	GIL50DO.2RS	50	M45x3,0	35	30	68	65	112	160	216	20	62	75	66	6	156	290	3,5
-	GIL60DO.2RS	60	M52x3,0	44	38	70	75	135	175	242,5	20	70	88	80	6	245	450	5,5
-	GIL70DO.2RS	70	M56x4,0	49	42	80	85	160	200	280	20	80	98	92	6	315	610	8,6
-	GIL80DO.2RS	80	M64x4,0	55	47	85	100	180	230	320	25	95	110	105	6	400	750	12